

SIGNATURE THERMOSTAT & CARD HOLDER

KNX Signature Series Thermostat + Card Holder



Main Features

- Multiple devices in monoblock glass design
- Customizable icons
- Customizable button counts
- Customizable device position order
- Different color options
- Device power supplied via KNX bus
- Easy mount into 60x60 mm standard switch junction boxes
- Independent configuration for each button
 - Switching
 - Dimming
 - Blind Control
 - Value Transmitting
 - Scene Control

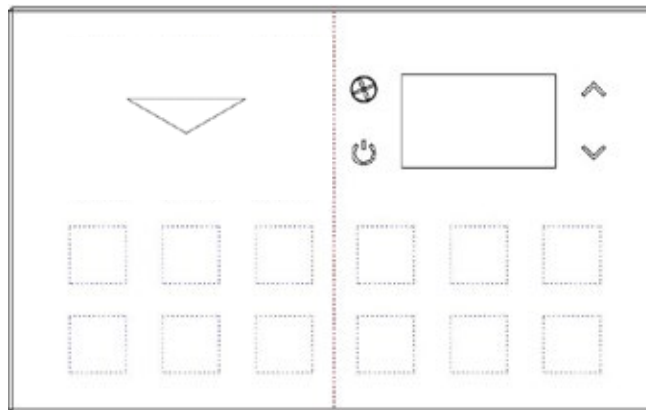
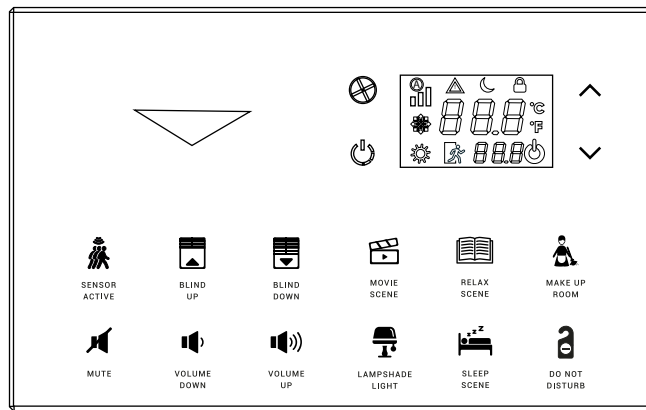
								
Touch Operated	Glass Surface	Frameless Minimalist Design	Fully Automatic Heating Cooling Transition	Various of Colors	Independent Programmable Keys	Navigation LEDs	Feedback LEDs	Icon Options



SIGNATURE THERMOSTAT & CARD HOLDER



General Features



KNX Card Holder Side (up to 6 buttons)

- Compatible with Mifare 13.56 MHz card
- Contactless reading for RFID Card information.
- Avoids mechanical wear and card deformation.
- Detection distance up to 50 mm

KNX Thermostat Side (up to 6 buttons)

- Temperature adjustment on display
- Integrated temperature sensor (°C/ °F)
- Fan speed adjustment (1, 2, 3, Auto)
- Different operation modes (Comfort, Night, Away, Protection)
- Fully automatic function mode (Heat - Cool transition)
- Control flexibility for all HVAC units including VRF-VRV and AC
- PI proportional, PI PWM, Hysteresis, Fan coil, Split unit controls

Common Functions

- Multiple devices in monoblock glass design
- Customizable icons
- Customizable button counts
- Customizable device position order
- Different color options
- Device power supplied via KNX bus
- Easy mount into 60x60 mm standard switch junction boxes
- Independent configuration for each button
 - Switching
 - Dimming
 - Blind Control
 - Value transmitting
 - Scene Control



SIGNATURE THERMOSTAT & CARD HOLDER

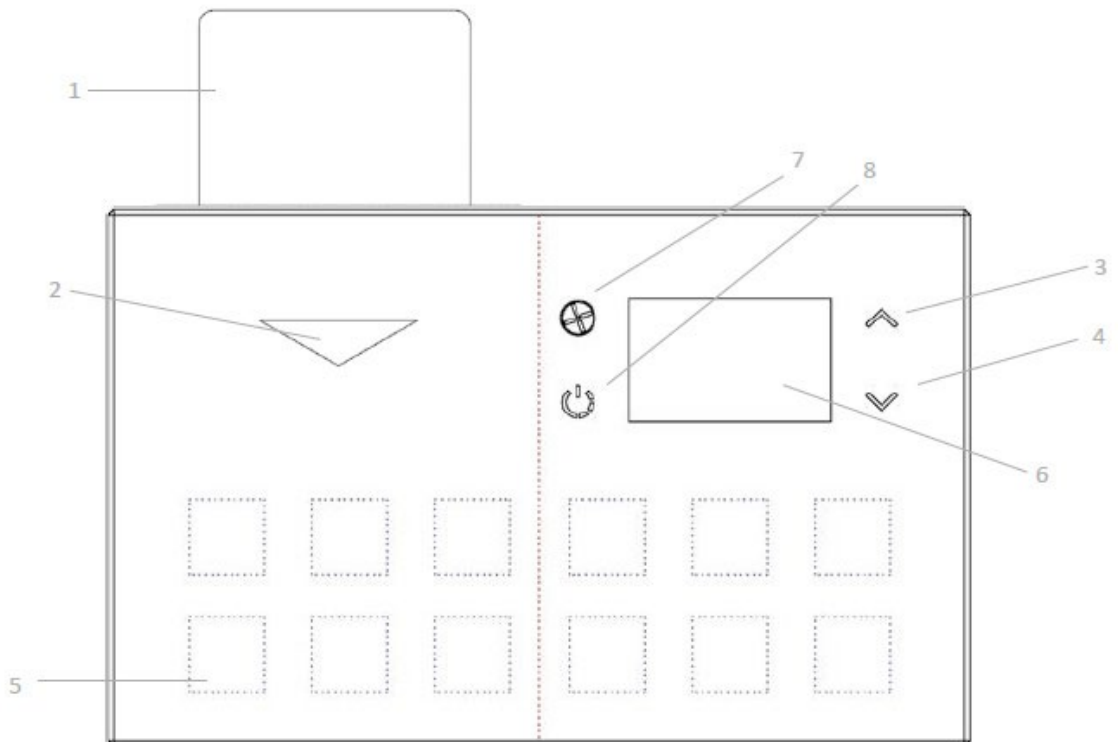
Technical Data

Protection Grade	IP20	EN 60 529
Safety Class	II	EN 61 140
Power Supply	Voltage Current drawn from bus	21V... 30V DC, via the KNX bus <20 mA total
Connections	KNX	Bus Connection
Installation	Flush Mounted	
Operating Elements	LED (red) LED (white) Hotel Card LED Indicator (cardholder)	P. Address Programming LED Button Status LEDs Mifare 13.56MHz card
Operating Temperature	Ambient Storage	-5° C + 45° C -25° C + 55° C
Temperature Sensor	Measurement Accuracy	±0,3 °C
Humidity	Max. Air humidity condensation	95% no moisture
Dimensions	Front side Side – Surface mounted part Side – Flush mounted part	100 x 161 mm 12 mm 18.8 mm
Weight	0.10 kg	
Material	Glass – Surface Polycarbonate – Flush mounted part	
Color	Front Side – Glass – Black or White Flush mounted part – Polycarbonate Black	
CE	In accordance with the EMC guideline and low voltage	

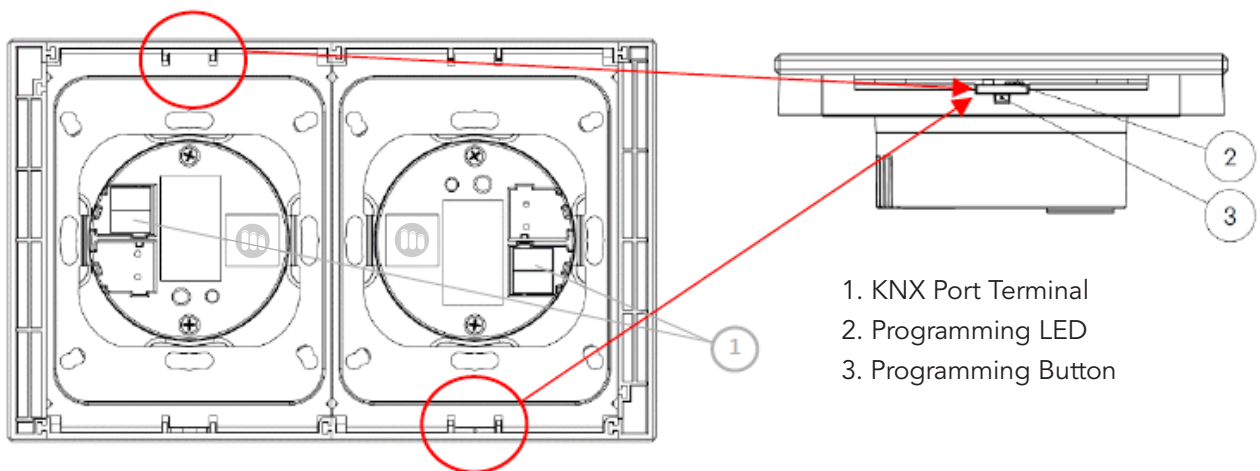


SIGNATURE THERMOSTAT & CARD HOLDER

Functional Elements and Connections



- 1. Hotel card
- 2. Hotel card slot
- 3. Setpoint Temperature UP
- 4. Setpoint Temperature DOWN
- 5. Programmable Buttons
- 6. Built-in Screen
- 7. Fan Speed (1, 2, 3, Auto)
- 8. Operation Mode Button (Comfort, Night, Away, Protection, OFF)



- 1. KNX Port Terminal
- 2. Programming LED
- 3. Programming Button

SIGNATURE THERMOSTAT & CARD HOLDER



Technical Drawings

