

# MX-1091-BLA

## Bolt Locks

The Spacesaver Extra Narrow is fully concealed and easily installed in 1.5" (38.1mm) frame or door stile. First designed and patented by MICROAXS, the Spacesaver is a fundamental innovation in electric locking technology for access control applications.

The stainless steel bolt projects at right angles to the lock mechanism, allowing installation of Spacesaver locks, by means of a simple cutout, in virtually any standard 1.5" frame, or in most door lock stiles. With the entire lock concealed, esthetic acceptability is complete, security is greater and installation in old or new construction is fast, easy and economical.



## Features

### Stainless Steel Bolt

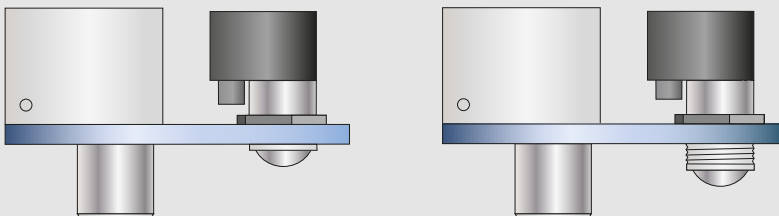
Greater security is provided by the 0.625" diameter solid stainless steel bolt. The bolt rotates freely, making attempts to tamper or cut extremely difficult.

### Specification Grade Solenoid

All Spacesaver lock solenoids are manufactured by MICROAXS to precision specifications. MICROAXS solenoids are capable of superior overall performance in both force and longevity, providing years of service compared to commercial grade solenoids.

### Field Adjustable Auto-relock Switch

The automatic relock switch keeps the bolt retracted while the door is open. The door depresses the ball switch assembly on closure, causing the bolt to project automatically, locking the door. In addition, the ball switch assembly is bidirectional, permitting the locks to be used on swinging and sliding doors.



# MX-1091-BLA

# Bolt Locks

## Lock Function

### Failsafe

The MX-1490-L is locked when energized. Recommended for safety applications, it is intended that the door unlock automatically when power is interrupted by the access control, power failure or signal from a fire life safety system.

- Bolt Throw 1/2" (12.7mm)

Figure 3A, 3B, 3C, 3D: Typical Frame Header or Side Jamb Installation

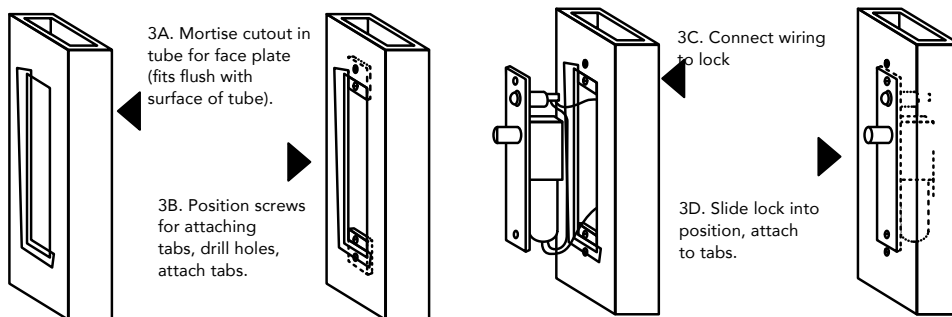
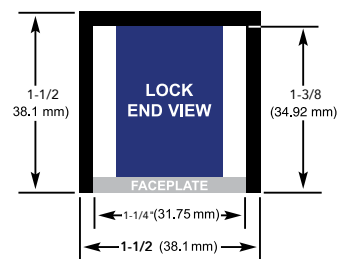


Figure 4



## Specification

Model	MX-1490-L
Face Plate	8"L x 1-1/4"W x 1/8"D
Strike	4"L x 1-1/2"W x 1/8"D
Frame Inner Dimension Requirements	8"L x 1-1/4"W x 1-3/8"D
Bolt Material	Stainless Steel
Bolt Diameter	5/8"
Bolt Throw	1/2"
Mounting Tabs	Two aluminum mounting tabs are provided for easy lock installation. See figure 3B Failsafe 0.45 Amp @ 24VDC Continuous Duty 0.9 Amp @ 12VDC Continuous Duty

