

MX-TIS-107-B

7" Indoor Monitor for 2-Wire Intercom System



Description

Microaxs intercom entry monitors are design-conscious products created as the ideal decorative accessory for your home. But there is more than style to consider. They actually offer an unparalleled level of technology, with functions and features designed to meet all requirements

Features

- Support Hands-free video communication with door station, guard unit connected in the intercom system
- Support panel call to management
- Support monitoring to door stations and cameras connected
- Support remote unlock function

Video/Audio Function

- HD video monitoring with high performance CMOS
- 7-inch colored TFT LCD with resolution 800 x 480
- Full capacitive touch screen
- Noise elimination and echo cancellation



MX-TIS-107-B

7" Indoor Monitor for 2-Wire Intercom System

Technical Data

Model	MX-TIS-107-B
System Parameters	
Processor	High-Performance Embedded SOC Processor
Operation system	Analog Operation System
Display Parameters	
Display screen	7-inch Colored TFT LCD
Display resolution	800 × 480
Operation method	Capacitive Touch Screen
Operation interface	Delicate Flattened UI Operation Interface
Audio Parameters	
Audio input	Built-in Omnidirectional Microphone
Audio output	Built-in Loudspeaker
Audio compression standard	G.711 A
Audio compression rate	64 Kbps
Audio quality	Noise Elimination and Echo Cancellation
Network Parameters	
Ethernet	10/100 Mbps Self-Adaptive Ethernet
System protocol	2 Wire Transmition
Device Interfaces	
BUS port	BUS A AND BUS B
Door Bell And GND	Door Bell
M/S Setting	M as Master, S as Slaver
Impedance Matching	Turn 2 to ON when installing the last Indoor Monitor
General	
Memory	100 Photos
Power supply	DC 24V
Power consumption	<10 W
Working temperature	-10° C to + 55° C (14° F to 131° F)



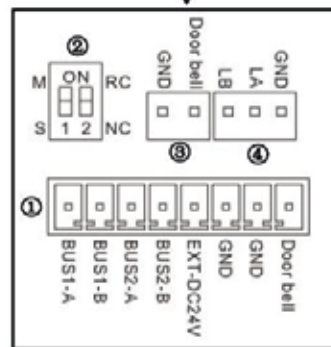
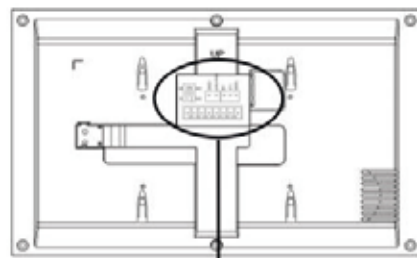
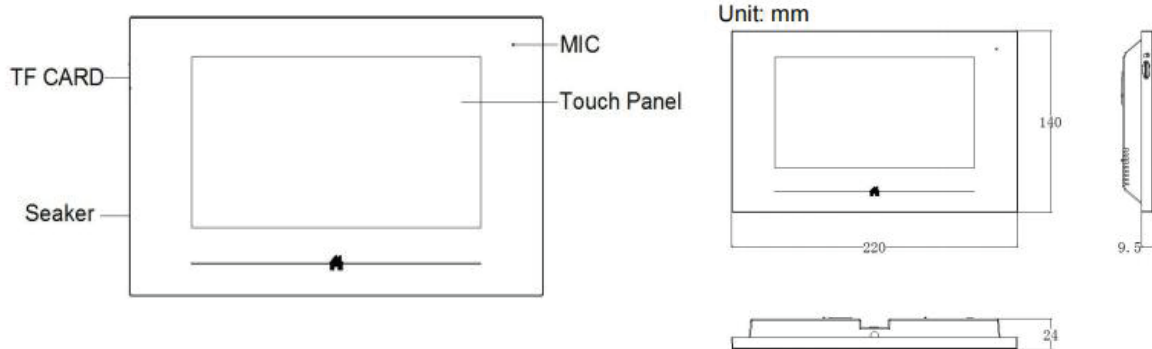
MX-TIS-107-B

7" Indoor Monitor for 2-Wire Intercom System

Technical Data

Model	MX-TIS-107-B
Working humidity	10% to 90%
Dimensions (L x W x H)	220mmx140mmx24mm
Certification	CE, ROHS

Appearance and Interfaces



- ① BUS1-A BUS1-B: Bus Interface 1;
BUS2-A BUS2-B: Bus Interface 2;
EXT-DC24V GND: Extended Power Supply 24V;
GND Doorbell: Interface for secondary doorbell button.
- ② 1.Master-slave indoor monitor setting (M stands for Master, S stands for Slave);
2.Video terminal resistance matching.
- ③ Interface for secondary doorbell.
- ④ Interface for 485 extension.